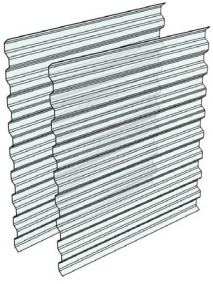




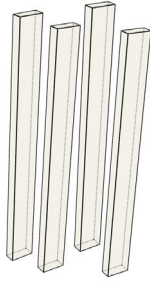
၈၁၂၄၆၇၈၉၀

Safety 6 UffJYf

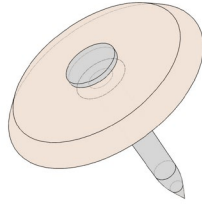
YOUR KIT SHOULD INCLUDE:



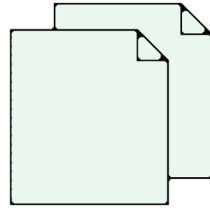
2 PLASTIC SHEETS



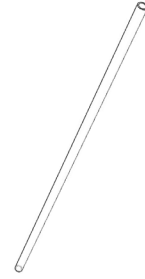
4 WOODEN BEAMS



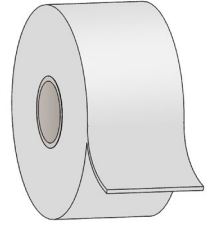
20 ROOFING NAILS



2 TEMPLATES



1 PVC PIPE



1 ROLL DUCT TAPE

YOU WILL ALSO NEED:

HAMMER

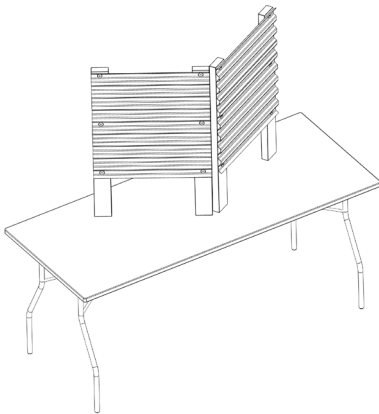
BRICKS

CARDBOARD

BOX CUTTER

PAINT (OPTIONAL)

HOW THIS SYSTEM WORKS

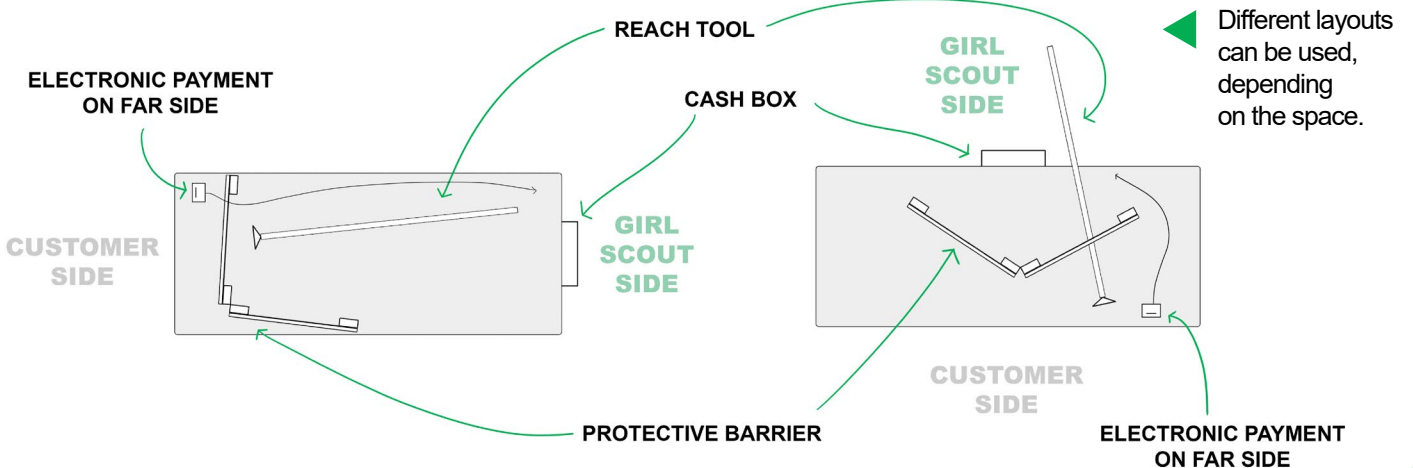
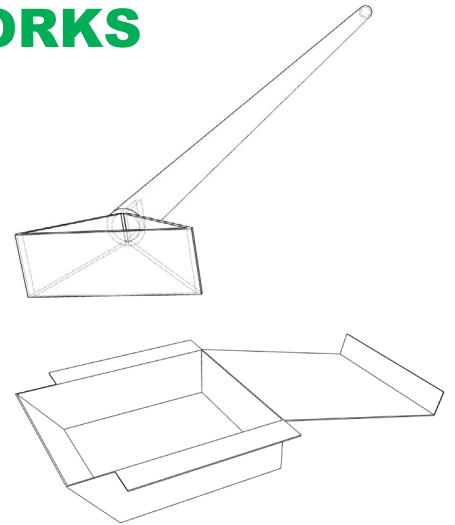


← PROTECTIVE BARRIER

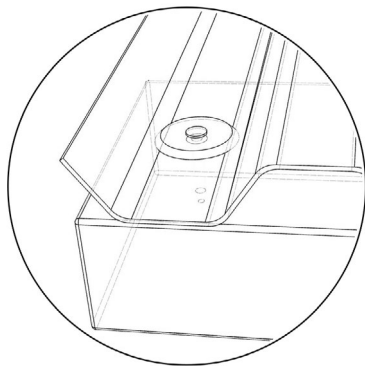
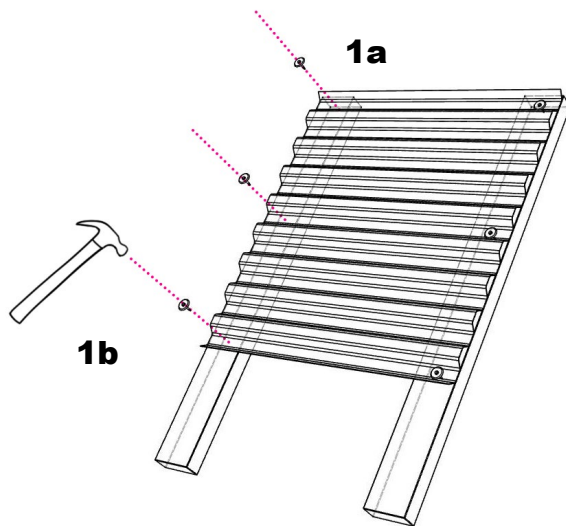
Acts as a sneeze guard and helps to prevent Girl Scouts and customers from breathing the same air before it can circulate.

REACH TOOL AND ► UNDER-TABLE CASH BOX

Contact-free way to accept cash while maintaining a safe distance. The reach tool can also be used to hand off cookies to customers.



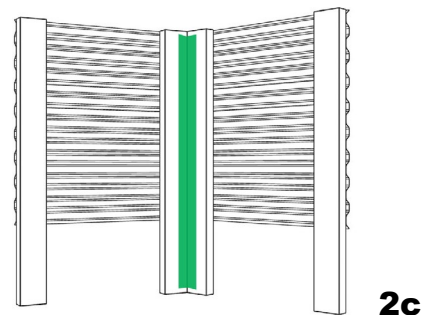
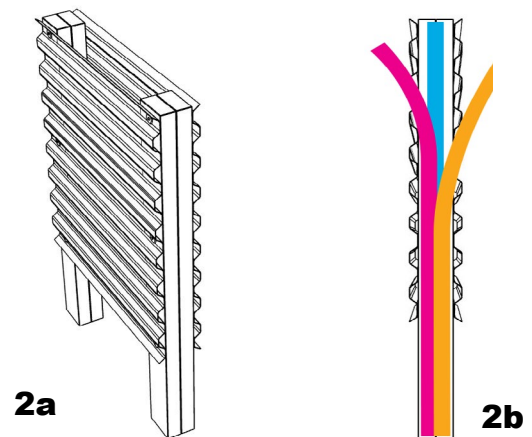
PROTECTIVE BARRIER ASSEMBLY



1. ASSEMBLE PANELS

Before you start building, consider painting the wood pieces with some bright colors!

- 1a. Line up the plastic sheet with the top of the 2x4.
- 1b. Hammer 3 nails into each side: top, middle, and bottom.
- 1c. Repeat this process for both panels.

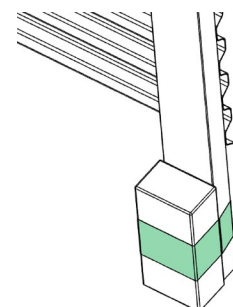


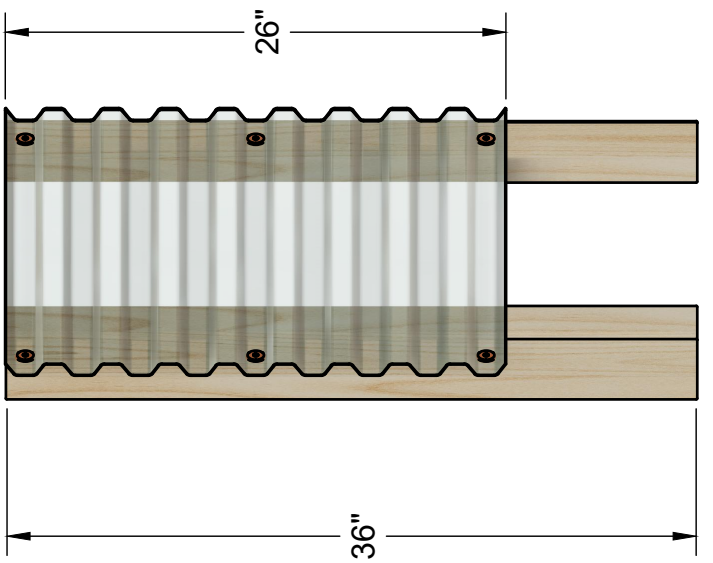
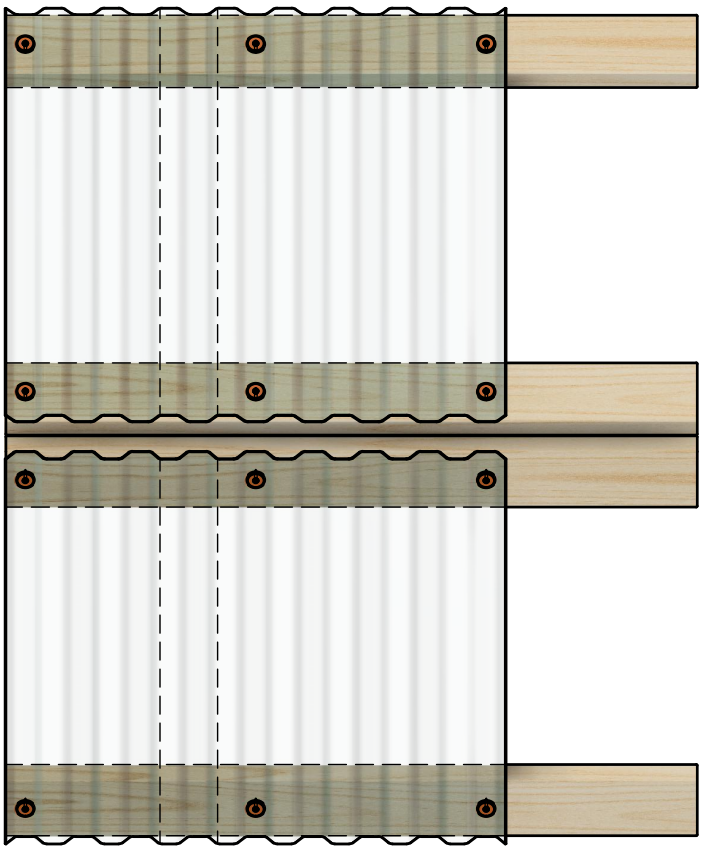
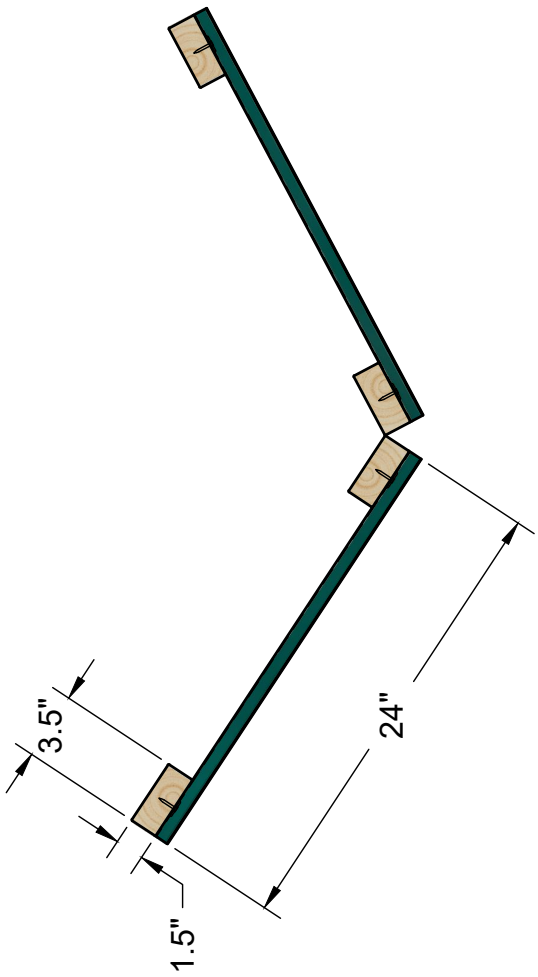
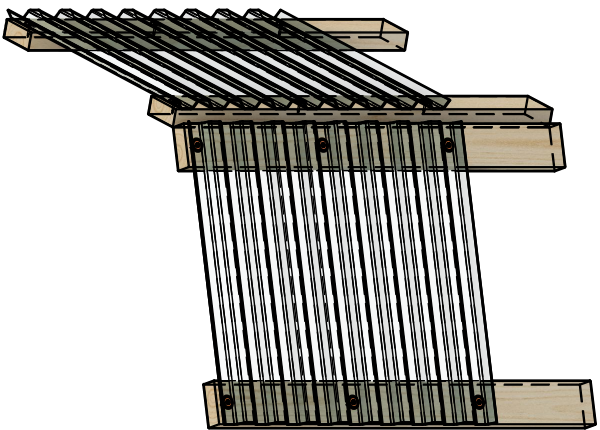
2. CREATE HINGE

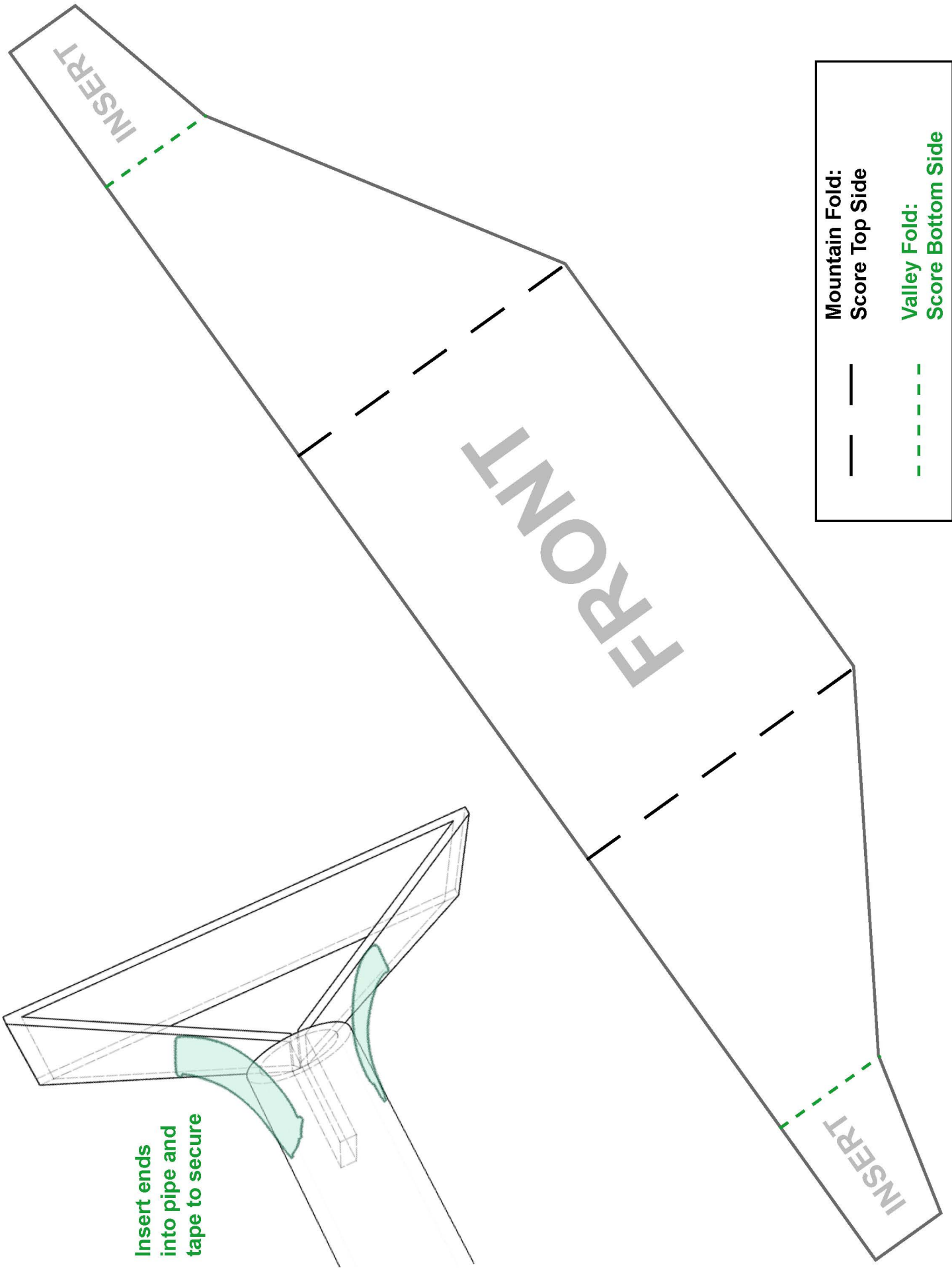
- 2a. Place the panels so that they are lined up, back to back.
- 2b. Use 3 pieces of duct tape on the outer edge: first, one down the middle, then an additional piece on each side.
- 2c. Open the panels up, and put one last piece of tape down the middle of the inside of the hinge.

SYSTEM SETUP

1. **Assemble protective barrier** using above instructions.
2. **For extra stability** in windy conditions, use duct tape to attach bricks to the legs of the protective barrier, as shown to the right.
3. **Build reach tool** out of cardboard using the reach tool template included in your kit. You can use the box the materials came in!
4. **Find a suitable box to secure under the table**, or use the included under-table cash box template to make one.
5. **Set up your cookie booth**, using the set up diagrams to the left as a guide.







INSERT

FRONT

INSERT

Mountain Fold:
Score Top Side

Valley Fold:
Score Bottom Side

Insert ends
into pipe and
tape to secure